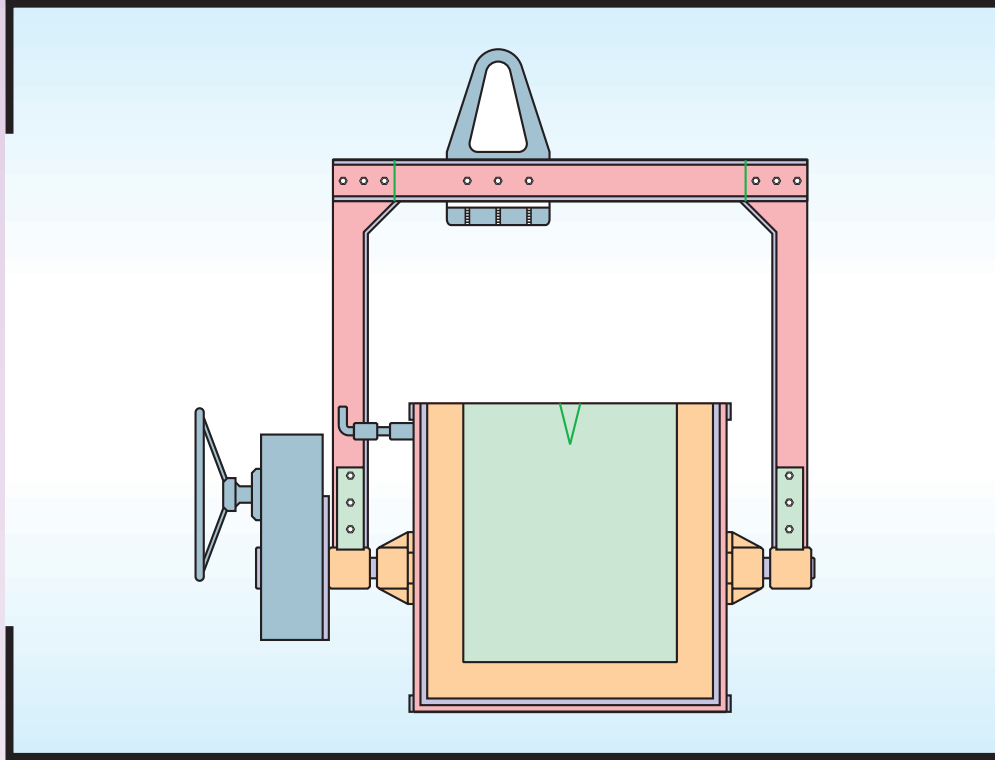


Aluminium Transfer Ladles



- **Monolithic non-wetting refractory lining**
- **Long service life**
- **Optimum insulation**
- **Not more than 5°C loss per hour in a properly closed ladle**
- **Heavy duty gear box for tilting the ladle for unloading**
- **Capacity: 100 kgs to 1.0 Tons**